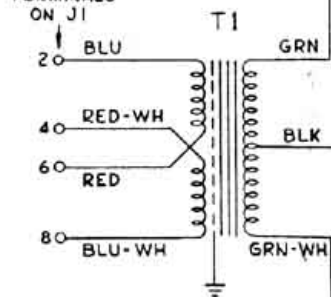


150 Ω
600 Ω

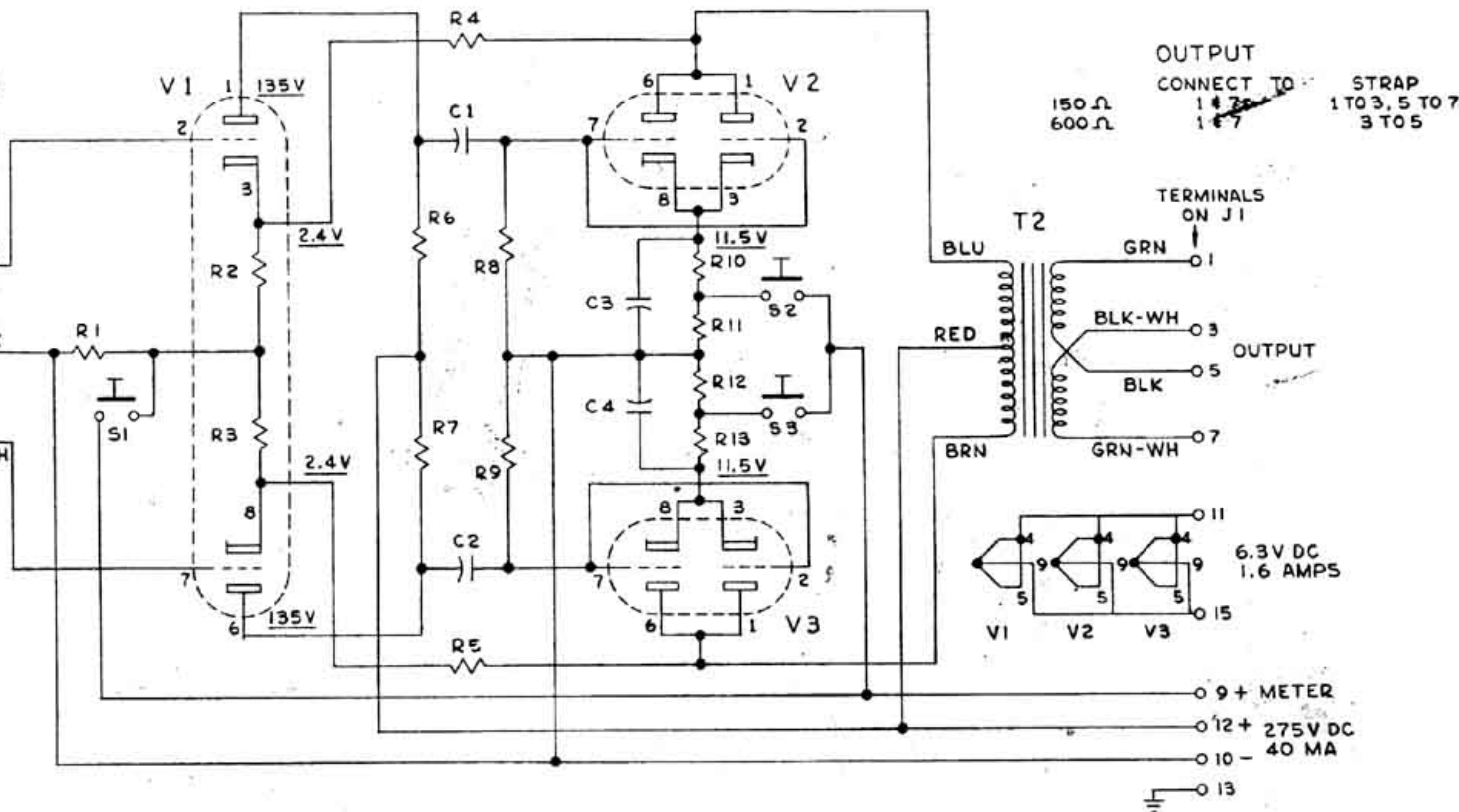
INPUT

CONNECT TO STRAP
2 & 8 2 TO 4, 6 TO 8
2 & 8 4 TO 6

TERMINALS ON J1

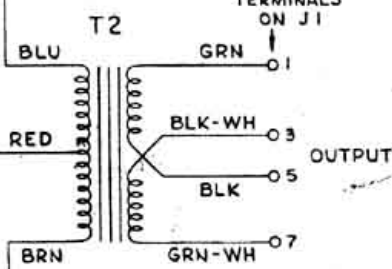


- T1 4745 TRANSFORMER
- T2 16543 " "
- V1 6072 VACUUM TUBE
- V2-V3 12 BH 7 " "
- R1 33 Ω ¼ W 1% DC
- R2-R3 1000 Ω 1 W 1%
- R4-R5 180,000 Ω ½ W 1% DC
- R6-R7 180,000 Ω ½ W 1% DC
- R8-R9 470,000 Ω ½ W 1% AB
- R10-R13 600 Ω 1 W 1%
- R11-R12 7.5 Ω 1 W 3%
- C1-C2 .022 MFD 400V
- C3-C4 25 MFD 15V
- S1-S2-S3 GRAYHILL 30-1
- J1 AMPHENOL 126-151

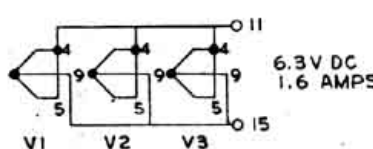


OUTPUT
CONNECT TO STRAP
1 & 7 1 TO 3, 5 TO 7
1 & 7 3 TO 5

TERMINALS ON J1



OUTPUT



6.3V DC
1.6 AMPS

- 9 + METER
- 12 + 275V DC
- 10 - 40 MA
- 13

ALTEC LANSING
459A AMPLIFIER

FIRST MADE FOR

TOLERANCES EXCEPT AS NOTED: FRACT. ± 1/64" DEC. ± .008" HOLE SIZES 0 TO 1/8" ± .001 OVER 1/8" ± .008 ANGULAR ± 1/2°

ISSUE	APP'D	DATE	CHANGE
1		4-25-60	

ALTEC
LANSING CORPORATION

ANAHEIM, CALIFORNIA

459A AMPLIFIER
SCHEMATIC

DR. BY FLG 7030

ALC 93